

## Mode Field Adapter(PM or Non-PM)

### Features

High Transfer Efficiency  
 High Power  
 Stable and Reliable  
 Custom Configurations Available

### Applications

High Power Fiber Laser  
 Fiber Amplifier

### Specifications

Parameters	Value					
Port Configuration	1x1					
Signal Wavelength	1030~1080nm or 1450~1600nm					
SMA Fiber	6/125	10/125	10/125	6/125	20/250	62.5/125
LMA Fiber	10/125	20/125	25/250	20/400	30/250	105/125
Signal IL for Forward Route	0.3dB	0.4dB	0.5dB	0.5dB	0.2dB	-
Signal IL for Backward Route	0.3dB	0.5dB	0.7dB	0.7dB	0.2dB	2.0dB
Total Handling Power	10W			50W		10W
Polarization Extinction Ratio	18dB(PM Fiber Type)					
Return Loss	45dB					
Package Dimension	D1,D2,D3,D4					
Operating Temperature	-5~+70					
Storage Temperature	-40~+85					

### Ordering Information

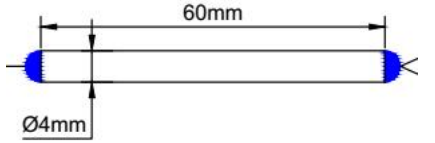

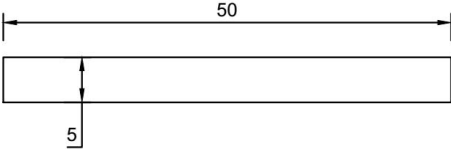
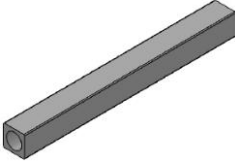
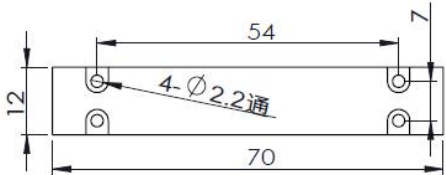


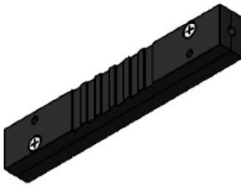
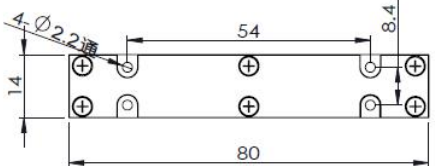

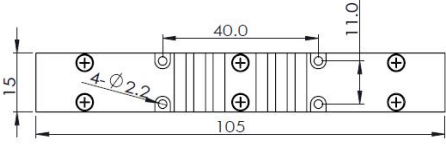

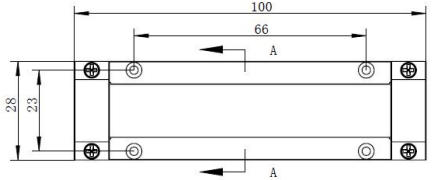
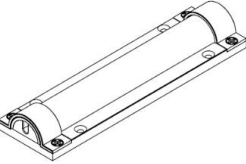
MFA-111-222-333-44-5-6-777

11 - Port Configuration:	1X1=1X1
222 -Fiber Type for Input:	019=Nufern LMA-GDF-10/125-M, 021=Nufern LMA-GDF-20/130-M 031=Nufern LMA-GDF-30/250-M, 044=Nufern LMA-GDF-20/400-M 015=Nufern PM1060L-FA, 020=Nufern PLMA-GDF-20/130 030=Nufern PLMA-GDF-30/250-M, 035=Nufern PLMA-GDF-20/400-M
333 - Fiber Type for Output:	019=Nufern LMA-GDF-10/125-M, 021=Nufern LMA-GDF-20/130-M 031=Nufern LMA-GDF-30/250-M, 044=Nufern LMA-GDF-20/400-M 015=Nufern PM1060L-FA, 020=Nufern PLMA-GDF-20/130 030=Nufern PLMA-GDF-30/250-M, 035=Nufern PLMA-GDF-20/400-M
44 - Package Dimension:	D1,D2,D3,D4,D5,D6,D7, S= Specified
5 -Pigtail Type:	0=250um bare fiber, 1=900um loose tube
6 -Fiber Type:	0=0.8m, 1=1.0m
777 -Handling Power/Per Pump:	005=5W, 010=10W, 100=100W, 200=200W

Note:1.Other package dimension and optical performance can meet customer design;

2.Pleased to contact us if you need more fiber selection

### Package Dimensions:

Type	Dimension (Mounting)	Schematic	Schematic	Note
D1	Φ4x60mm			Low power with glass tube Dissipated power<5W
D2	50x5x5mm			Low power with glass tube Dissipated power<5W
D3	70x12x8mm (54x7.0mm)			Low power with glass tube Dissipated power<10W
D4	75x12x8mm (54x7.0mm)			Mid power package, up to 1200W Dissipated power<50W
D5	80x14x10mm (54x8.4mm)			Mid power package up to 2500W Dissipated power<70W
D6	105x15x8mm (40x11mm)			Mid power package up to 1500W Dissipated power<60W
D7	100x28x12.6mm (66x23mm)			High power package up to 5000W Dissipated power<200W