

1030nm PM Optical Circulator (TGG-Based)

Features

- Low Insertion Loss
- High Return Loss
- High Isolation
- High Stability & Reliability

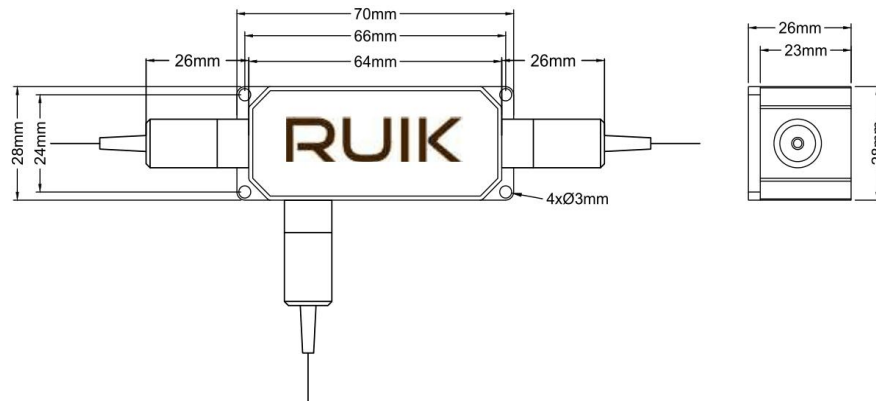
Applications

- Fiber Amplifier
- Testing Instrument
- Fiber Sensor
- Medical Equipment

Specifications

Parameters	Unit	Value
Center Wavelength	nm	1030
Operating Wavelength Range	nm	±5
Typ. Peak Isolation	dB	25
Max. Isolation at 23°C	dB	22
Typ. Insertion Loss at 23°C	dB	1.3
Max. Insertion Loss at 23°C	dB	1.5
Min. Extinction Ratio at 23°C, only for PM	dB	20
Min. Return Loss(Input/ Output)	dB	45
Min. Cross Talk	dB	45
Max. Average Optical Power	W	20
Max. Peak Power for ns Pulse	kW	10
Max. Tensile Load	N	5
Package Dimension	mm	64x28x26
Operating Temperature	°C	+10~+50
Storage Temperature	°C	0~+60

Package Dimensions



Ordering Information

PMCIR-1111-23-444-567-888-99AA

1064	-Center Wavelength:	1064=1064nm, 1030=1030nm, 980=980nm
2	-Port Type:	3=3-Port
3	-Axis Alignment for PM:	F=Slow axis working, Fast axis blocked, B=Both of axis working, N=No axis
444	-Fiber Type:	001=PM1550, 002=PM1310, 003=PM980, 004=Hi1060, 008=SMF-28E
6	-Package Dimension:	0=64x28x26mm, S=Specified
6	-Pigtail Type:	0=250µm bare fiber, 1=900µm loose tube
7	-Fiber Length:	0=0.8m, 1=1m
888	-Connector Type:	0=FC/UPC, 1=FC/APC, 2=SC/UPC, 3=SC/APC, 4=LC/UPC, 5=LC/APC, N=None
99	-Average Power:	00=500mW, 01=1W, 02=2W,....., 05=5W, 10=10W
AA	-Peak Power:	10=10kW, 20=20kW